



# While Loops in LabVIEW

Hans-Petter Halvorsen

# Loops & Structures in LabVIEW

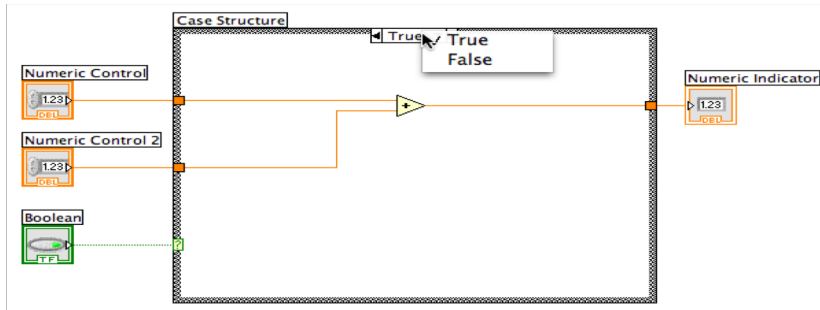
While Loop:



For Loop:

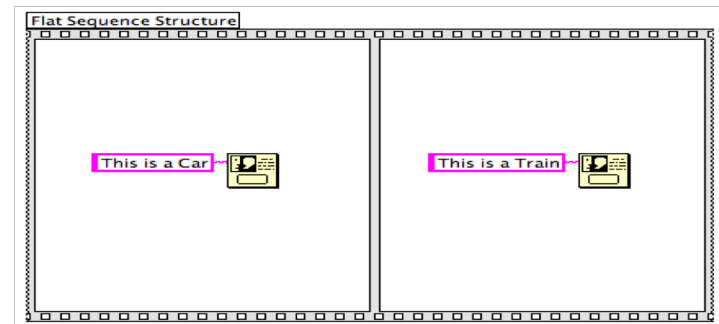


Case Structure:



(if...else...)

Sequence Structure:



# For and While Loops in general

```
for i = 1 : 10
```

```
    ...do something
```

```
end
```

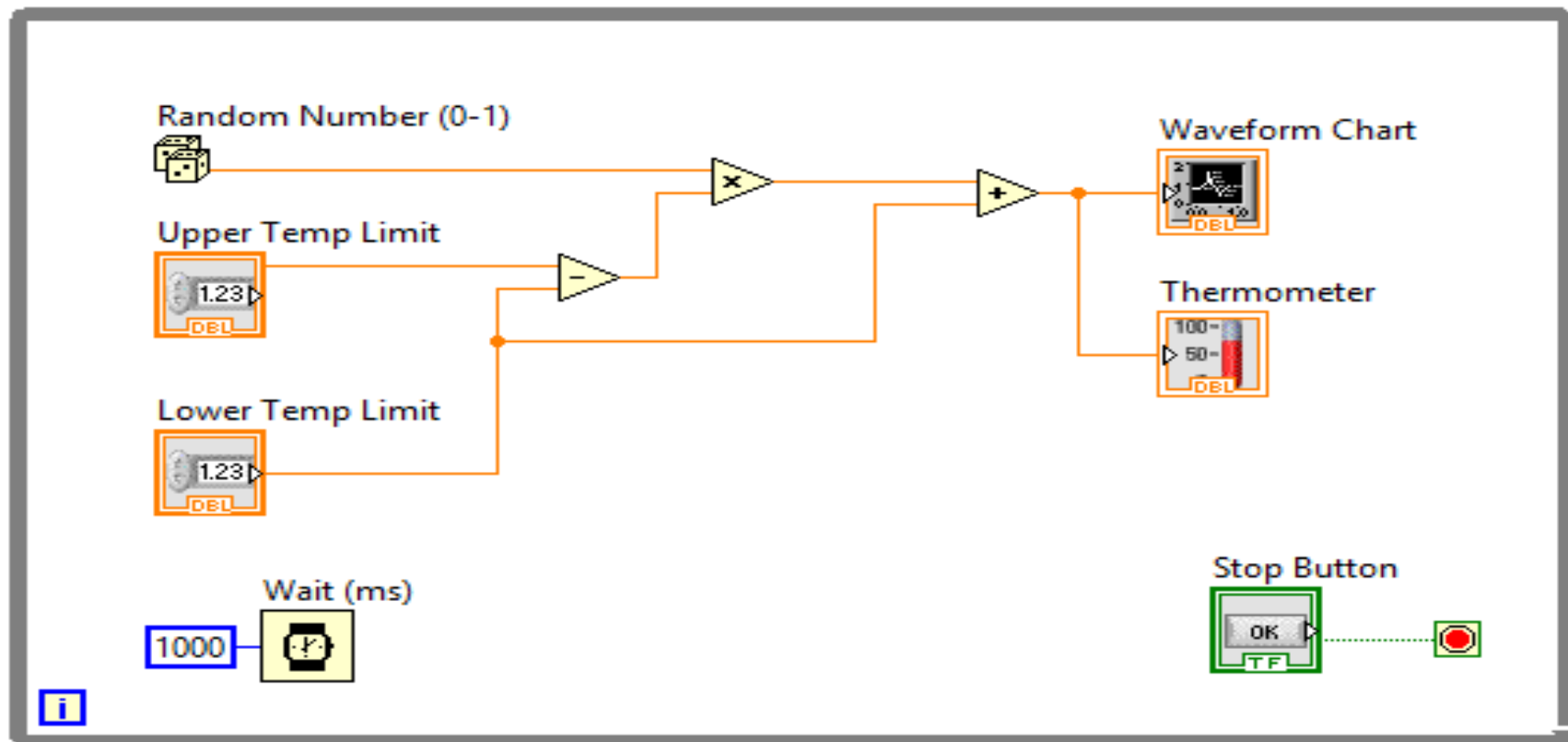
```
while (x > 5)
```

```
    ... do something
```

```
end
```

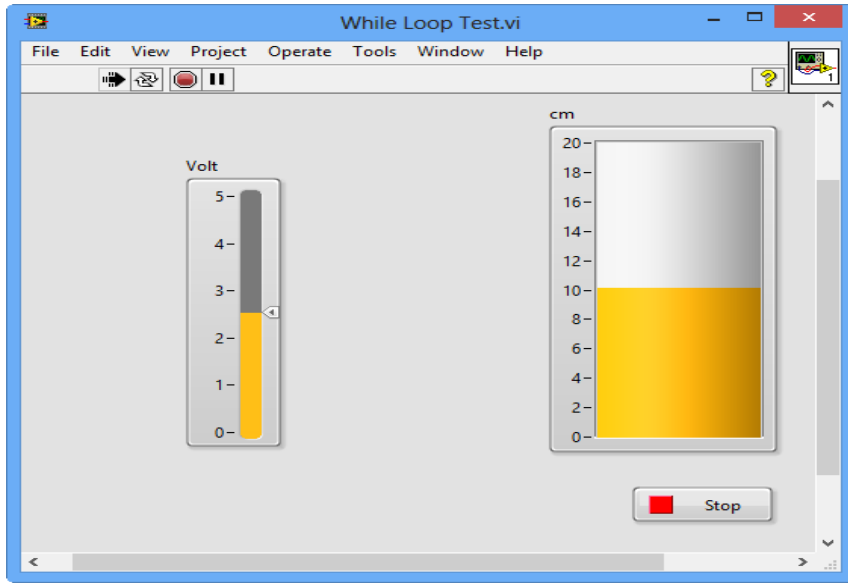
→ LabVIEW does it in a “graphical way”

# While Loops



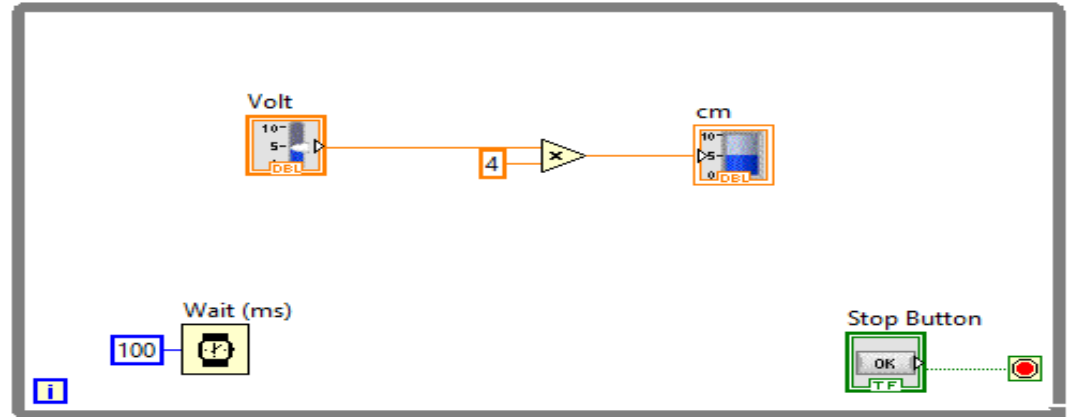
# While Loop Example

Example: A voltage signal [0 – 5V] from a DAQ device needs to be converted to the equivalent level values in a water tank [0 – 20cm]



Front Panel

Block Diagram



**DEMO**

# Hans-Petter Halvorsen

University of South-Eastern Norway

[www.usn.no](http://www.usn.no)

E-mail: [hans.p.halvorsen@usn.no](mailto:hans.p.halvorsen@usn.no)

Web: <https://www.halvorsen.blog>

